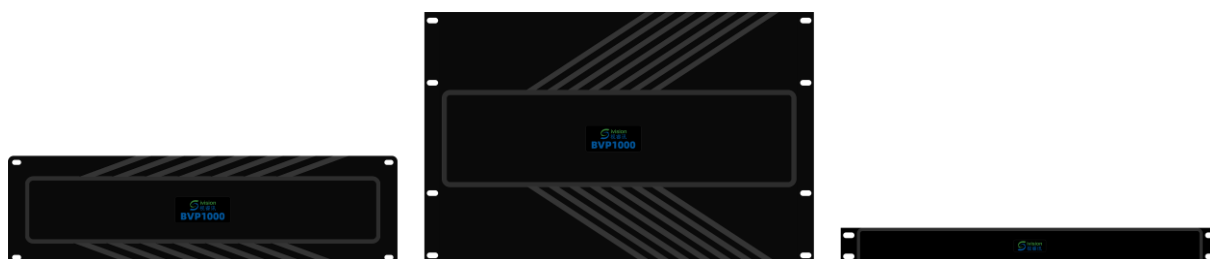




LED Video Processor Specification

BVP1000 Series



V1.0.0 SRX20211112X

Summary

BVP1000 series are our latest launched video processor, which is more intelligent and higher performance ratio. BVP1000 series adopt Plug-in type 1U/3U/7U standard modular cabinet, full digital signal processing, can realize 4K@60Hz and other resolution fluent displayed on different size screens. They also adopt 4:4:4 color processing, which can make the display more colorful, more clear and more near the reality. They are widely used in command and control, large conference hall, security monitoring, exhibition&display, transportation, education, broadcasting TV center and other ultra high definition place.

Function

- Full digital signal input, support DVI, HDMI, HDMI2.0 and DP1.2
- Support HDMI audio Input
- Support window static frame setting
- Support preview and pre-monitoring
- Support PC scene, task timing and carousel
- Support customized resolution, widest 3840/highest 3840/port
- Support any screen free roaming and zooming
- Support subtitle function

- Support EDID
- Support irregular splicing
- Support signal cut and zoom in

Product Appearance

BVP1000-1U



NO.	Description
①	Logo

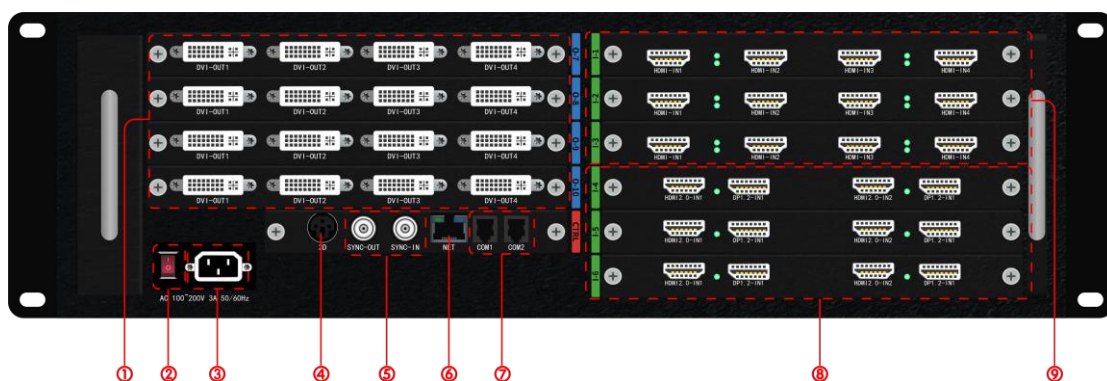


NO.	Description
①	Output(DVI、HDMI)
②	Input(DVI/HDMI1.3/HDMI2.0/DP1.2)
③	3D (not support)
④	GenLock
⑤	RJ45 port
⑥	RS232 port
⑦	Switch
⑧	Power port

BVP1000-3U

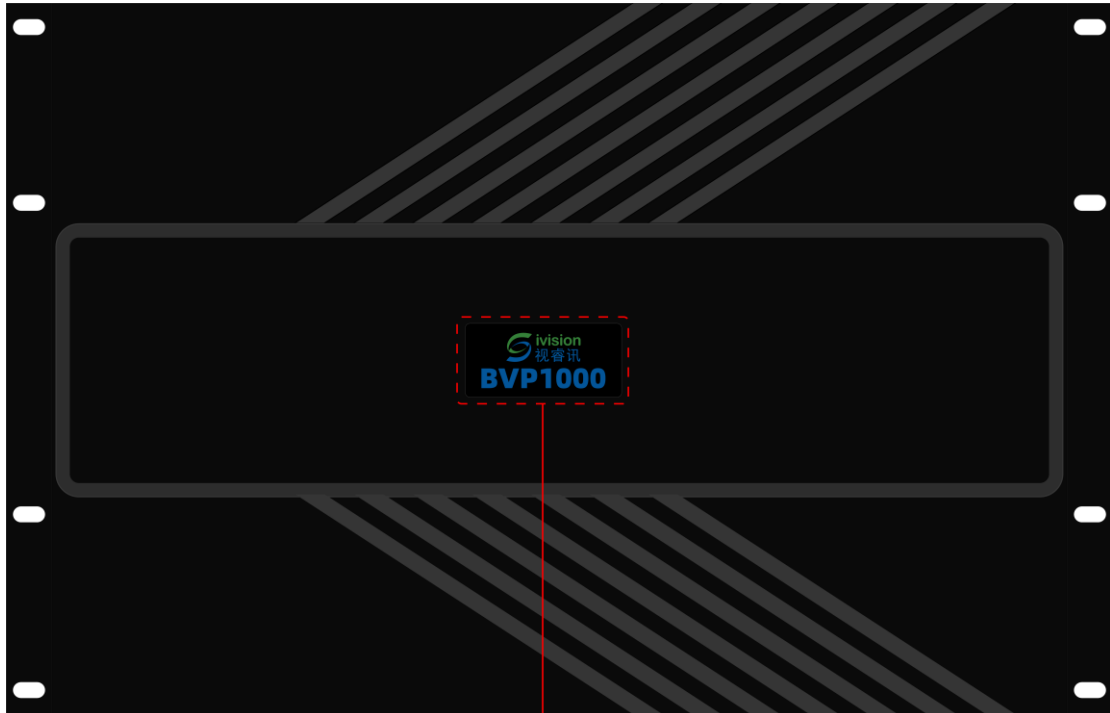


NO.	Description
①	Logo

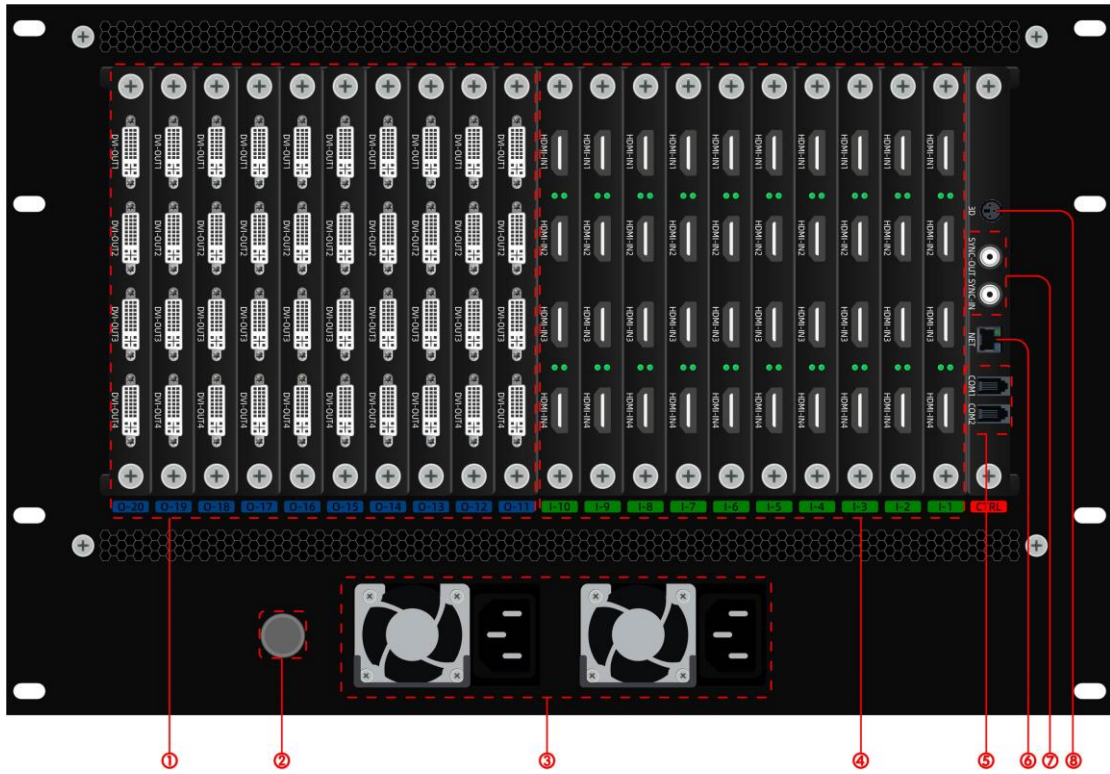


NO.	Description
①	Output(DVI、HDMI)
②	Switch
③	Power port
④	3D(not support)
⑤	GenLock
⑥	RJ45 port
⑦	RS232 port
⑧	4K Input (HDMI2.0/DP1.2)
⑨	2K Input(DVI/HDMI1.3)

BVP1000-7U



NO.	Description
①	Logo



NO.	Description
①	Output (DVI, HDMI)
②	Switch
③	Power port
④	Input (DVI/HDMI/DP)
⑤	RS232 port
⑥	RJ45 port
⑦	GenLock
⑧	3D(not support)

Specification

Model No.	BVP1000		
Cabinet	1U	3U	7U
Max Input	2K-8/4K-2	2K-24/4K-6	2K-40/4K-20
Max Output	8	16	40
Single Port	2.6 million pixels		
Max Pixels	20.8 million pixels	41.6 million pixels	104 million pixels
Widest/highest /Port	3840/3840		
Max Pictures	80		
Audio Input	Support HDMI Audio Input		

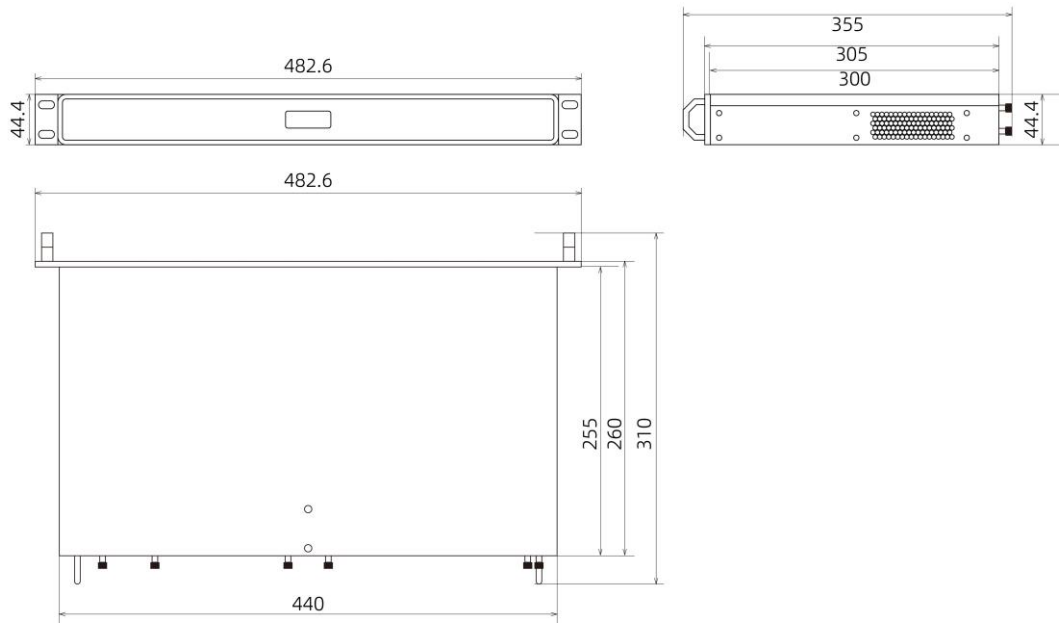
Input	
Type	Description
DVI	VESA standard DVI-D, support EDID
HDMI	EIA/CEA-861 standard, HDMI1.3 support 1920x1080@60Hz
HDMI2.0	HDMI2.0 3840x2160@60Hz, support EDID
DP1.2	DP1.2 3840x2160@60Hz, support EDID

Output	
Type	Description
DVI	Single port 2.6 million pixels, support customized
HDMI	Single port 2.6 million pixels, support customized

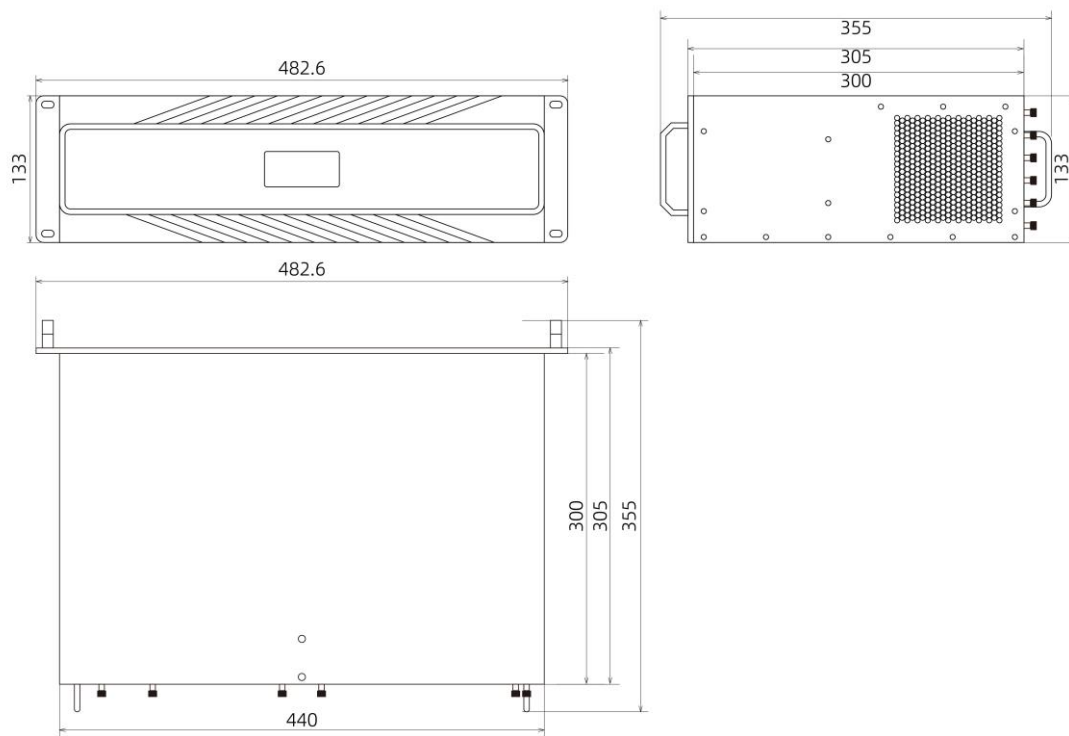
Device Information			
Model	1U	3U	7U
L×W×H (mm)	482.6×255×44.4mm	482.6×355×133mm	482.6×316×310mm
Weight(KG)	3.6Kg ±0.5Kg	7.8Kg ±0.5Kg	15.0Kg ±0.5Kg
Voltage	110~240V / 50-60Hz		
Power	52W	149.4W	550W*2
Working temprature	0~50°C		

Dimension

BVP1000-1U



BVP1000-3U



BVP1000-7U

